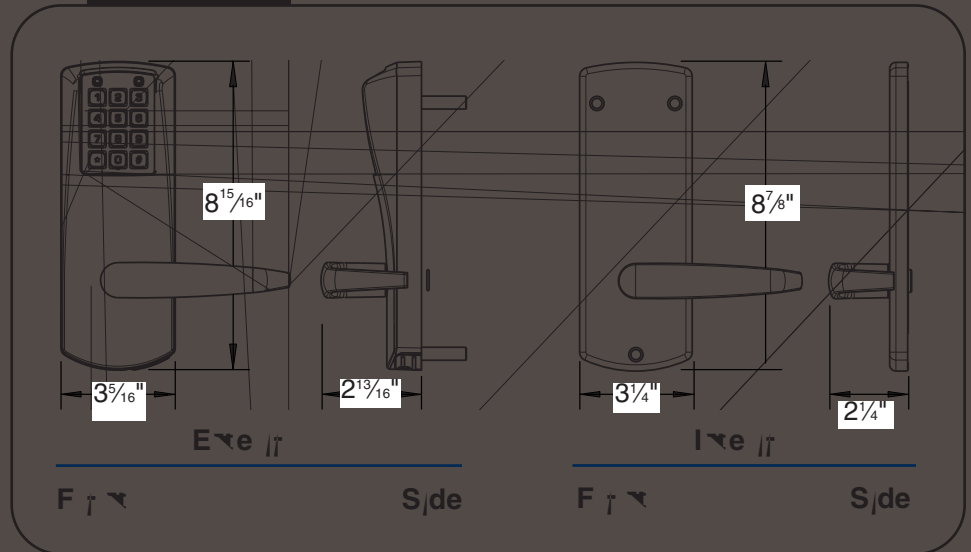


2000 CYLINDRICAL

Electronic Pushbutton Lock

Dimensions



Features

Access Control:	Electronic pushbutton lock – eliminates problems and costs associated with issuing, controlling and collecting keys and cards
Latch Device:	Cylindrical latch with UL 10C fire rating
Number of Codes:	100 access codes per door; over 100 million possible code combinations
Programming:	Locks are easily programmed via keypad
Handedness:	Non-handed, pre-assembled for left-hand door installations - easily changed in the field
Key Option:	Optional key-in-lever cylinder in Schlage C Keyway with black Kaba cap (as shown above in picture)
Operation Modes:	3 operation modes <ul style="list-style-type: none"> PIN access Lockout Passage – can be toggled on / off or can be pre-programmed to re-lock after a certain number of hours
Access Levels:	Four different levels allow you to control who has access to specific lock functions, including: <ul style="list-style-type: none"> Service codes - programmed for one time access or “come and go” access for 1 to 24 hours
User Parameters:	<ul style="list-style-type: none"> Code length: Adjustable to accept 4 to 8 digits Anti-tamper lockout: Adjustable from 3 to 9 invalid attempts with an adjustable period of 0 to 90 seconds Re-lock time: Adjustable from 2 to 20 seconds
Battery Operation:	Batteries located in exterior housing; offers quick and easy battery replacements for institutions (Three AA Alkaline batteries provide more than 100,000 cycles) Lock data is maintained if batteries fail
Easy Installation:	No wiring to or through the door - no risk of pinched wires

Mechanical Features

Construction:	Light-duty commercial cylindrical lockset, solid cast exterior housing, solid cast levers, cylindrical drive wear tested for extensive use in indoor and outdoor applications
Non-destructive Keying:	Vandal resistant, 12-button, metal keys
Directional Handing:	Non-handed, pre-assembled for left-hand door installations – easily changed in the field
Finishes:	Satin Chrome 26D (626) housings & levers Satin Brass 04 (606) housings & levers (optional)
Backsets:	2 ³ / ₄ " (70 mm), 2 ³ / ₈ " (60 mm)
Latches:	1/2" (13 mm) latch, 3/4" (19 mm) latch (optional)
Mounting Stud Spacing:	5" (127 mm)
Recommended:	
Weight:	8 lbs. (3.63 kg)

Key Override

Key-Override Cylinder:	Optional Kaba 1539 6-pin cylinder - Schlage C Keyway
------------------------	--

Installation

Easy Installation:	No wiring to or through the door - no risk of pinched wires
Directional Preparation:	Easily installs on wood or metal doors. ASA 161 door preparation with 3 additional through bore holes
Directional Thickness:	1 ³ / ₈ " (35 mm) to 2 ¹ / ₂ " (64 mm). Pre-assembled to accommodate doors 1 ⁵ / ₈ " (41 mm) to 2" (50 mm)
Includes:	Lock assembly, installation manual, template and required hardware
Additional Features:	Universal Kaba 1539 6-pin cylinder, two nickel silver keys, Schlage C Keyway
Includes:	
Key-Override Cylinder:	
Mounting Stud Spacing:	

Compliance and Testing

Accessibility/ADA:	Americans with Disabilities Act (ADA)
Fire Rating:	UL 10C Fire rated
Environment:	Indoor/Outdoor Approved -31° F (-35° C) to + 151° F (66° C)

Warranty

Warranty:	Two-year warranty from date of installation; built-in warranty counter in lock memory
-----------	---