

FULL DOOR CLOSER RANGE

RESIDENTIAL



FEATURES

- SIZE 1 THRU 5 AVAILABLE
- U.L. LISTED
- NON-HANDED
- ALUMINUM & DURO FINISH
- SURFACE MOUNTED

HA-601-AL

HA-602-AL

HA-603-AL

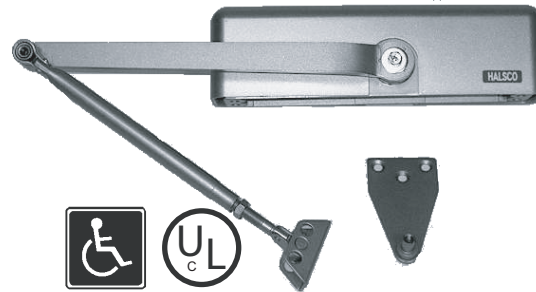
HA-603-DU

HA-604-AL

HA-604-DU

HA-605-AL

COMMERCIAL



FEATURES

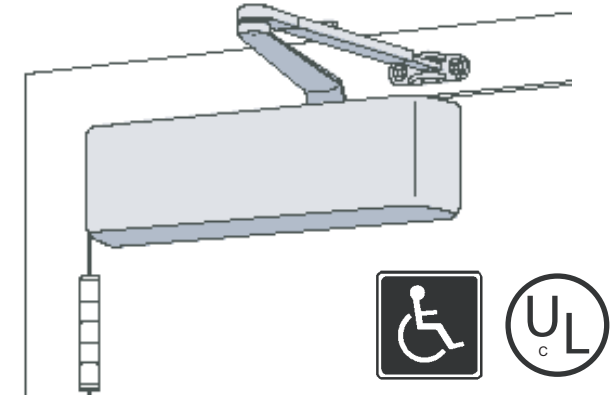
- U.L. Listed
- Adjustable From 2 - 5
- ADA (HANDICAP) Adjustable Opening Force
- 3 Valve Adjustment
- Back Check
- Closing Speed
- Latching Speed
- Non-Handed
- Parallel Arm Bracket
- Full Cover
- Aluminum & Duro Finish

HA-P1250-AL

HA-P1250-DU

HA-P1250-AL-H/O
(HOLD-OPEN)

HEAVY DUTY COMMERCIAL



Multi-Size Full Featured Closer

- UL Listed
- Adjustable From 1 to 6

FEATURES- ANSI S156.4 GRADE 1

- "UL" Listed
- ADA (HANDICAP) Adjustable Opening Force
- Manufactured Under "ISO 9001" Guideline
- Aluminum & Duro Finish
- Delayed action available
- Parallel Arm Bracket

FUNCTIONS

- Tri-Style Installation: Installs Regular, Parallel Arm Or Top Jamb
- Reversible
- Adjustable Sweep And Latch Speed: Separate Valves To Adjust Each Speed And Back Check
- Adjustable Delayed Action Closing Option: "DA"
- Door Opening: Regular 120 degree, Parallel Arm 180 degree. And Top Jamb 120 degree.

HA-NK4041-AL

HA-NK4041-DU

HA-NK4041DA-AL (DELAYED ACTION)

